

CURRENT SENSOR APPLICATION



CURRENT
SENSOR
Application

Uninterruptible
Power Supply
不间断电源

Founded in 2013, Sinomags is dedicated to the development and production of magnetic sensors. we have four subsidiary companies in Germany, Wuxi, Ningbo, and Bengbu.

The company's R&D team consists of more than 250 R&D personnel with a number of experts in the field of magnetism and power electronics as the core, covering the design development and production of the whole industrial chain from xMR wafers to sensor modules.

1200/250 employees

1200 employees, 250 R&D staff

500 Mpcs

Wafer capacity 500 million pcs/year

100 Mpcs

2022 **current sensor** production capacity exceeds 100 million

250 Mpcs

Cumulative **current sensor** shipments of approximately 250 million units



○ **Wuxi**

R&D & Headquarter

○ **Bengbu**

Production for Current Sensor

○ **Ningbo**

R&D & Production for Current Sensor

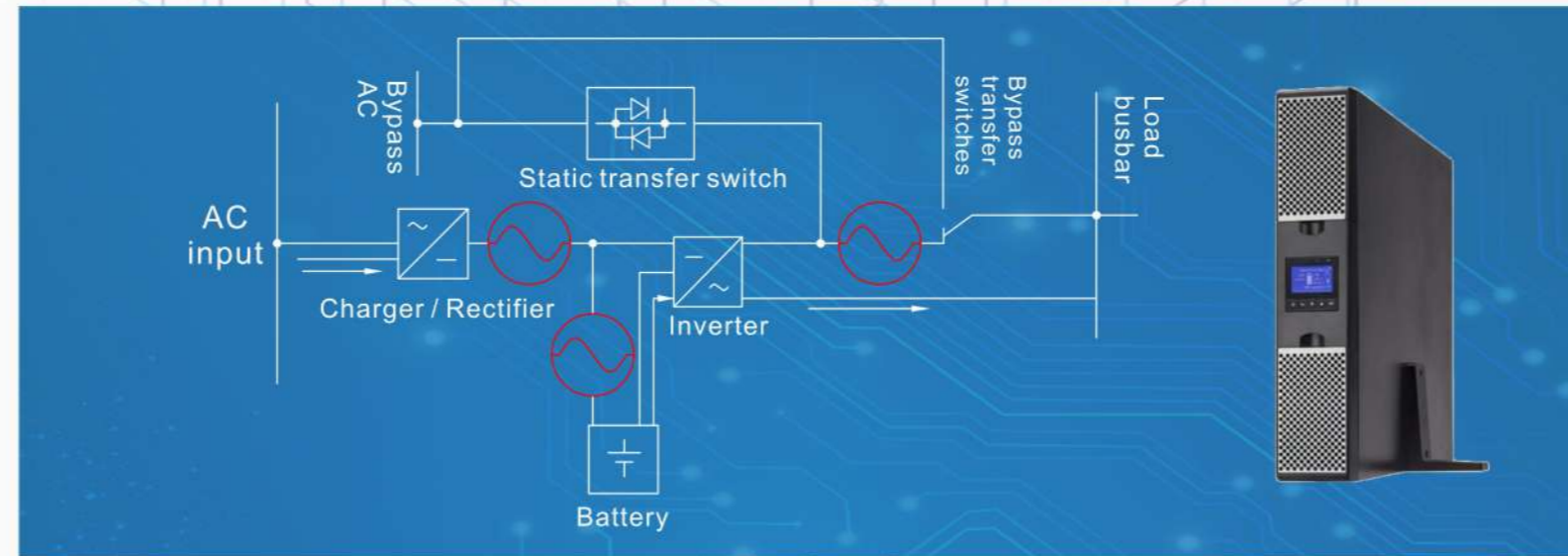
○ **Mainz**

Waferfab for magnetic sensor

○ **Wetzlar**

R&D Center for magnetic sensor

Uninterruptible Power Supply



PRODUCT



◎ **Features**

- High precision
- Wide frequency bandwidth
- Fast response time
- Wide detection range

◎ **Absolute & Electrical parameters**

Product	Out		V _{cc} (V)	U _{ESD} (kV)	U _d (kV)	I _{pn} (A)	I _{pm} (A)	f _{band} (kHz)	t _r (μs)	Acc. (%FS)	Application
	Voltage	Digital Current									
STK-600/M	○		5, 3.3	4	4	50, 100	50 ~ 400	120	4.6	3.5	Uninterruptible Power Supply
STK-600/M-M	○		5, 3.3	4	4	50, 100	50 ~ 250	120	4.6	3.5	
STK-BS1	○		±15	4	4	50 ~ 600	150 ~ 900	50	5	1	
STK-BS/S1	○		5	4	4	50 ~ 600	150 ~ 1100	60	3.5	1	
STK-BS/H	○		±15	4	4	50 ~ 400	150 ~ 600	50	3	1	
STK-BS/T	○		±15	4	4	200 ~ 1500	600 ~ 2500	25	5	1	
STK-HD/K	○		5	4	4	32 ~ 50	80 ~ 125	600	1	1.5	
STK-HD/P	○		5, 3.3	4	4	5 ~ 30	10 ~ 75	600	1	3	
STK-HO	○		5	4	4	60 ~ 150	150 ~ 375	150	2	3	
STK-PL/A	○		5	4	5	10 ~ 50	25 ~ 125	400	1.5	1.5	
STK-PL/M	○		5	4	5	80 ~ 180	200 ~ 450	500	1	1	
STB-CAS/x	○		5	4	5	15 ~ 75	51 ~ 220	400	0.3	1.1 ~ 3	
STB-CAS/F	○		5	4	5	6 ~ 75	20 ~ 220	400	0.3	1.1 ~ 1.6	
STB-HA/A	○		±15	4	4	50 ~ 60	150 ~ 180	150	1.5	0.8(1.5)	
STB-HA/Y	○		±15	4	4	50	150	150	1.5	0.8(1.5)	
STB-LA/(/N)		○	±2~±15	4	4	100 ~ 150	200 ~ 240	150	0.5	0.5	
STB-LA/S	○		5	4	4	100	220	300	0.5	1.1	
STB-LA/D		○	±15	4	4	25 ~ 100	55 ~ 175	150	0.5	1.5	
STB-LA/Z	○		5	4	4	100 ~ 200	300 ~ 450	300	0.3	0.8	
STK-HO/B	○		5	4	4	50 ~ 130	120 ~ 325	1000	0.2	3	